

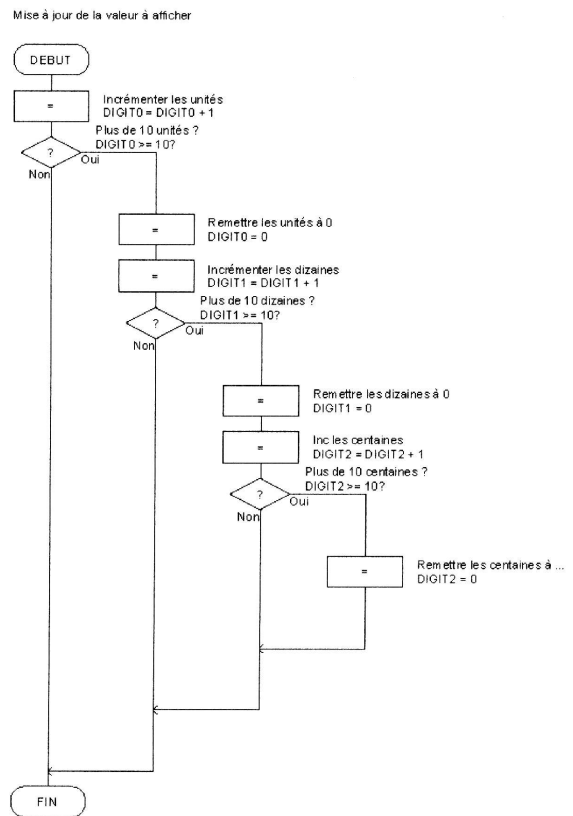
FREQUENCEMETRE 0...100 HZ

2 afficheurs 7 Segments

PIC 16F84

Quartz 3.276800 Mhz

timer / 128 (25hz)



Interrupt timer

